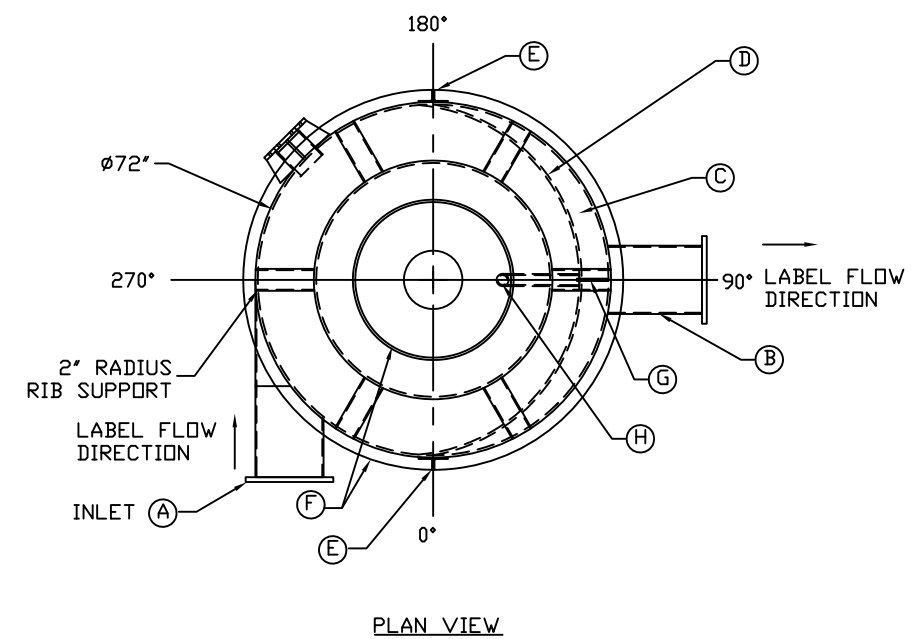
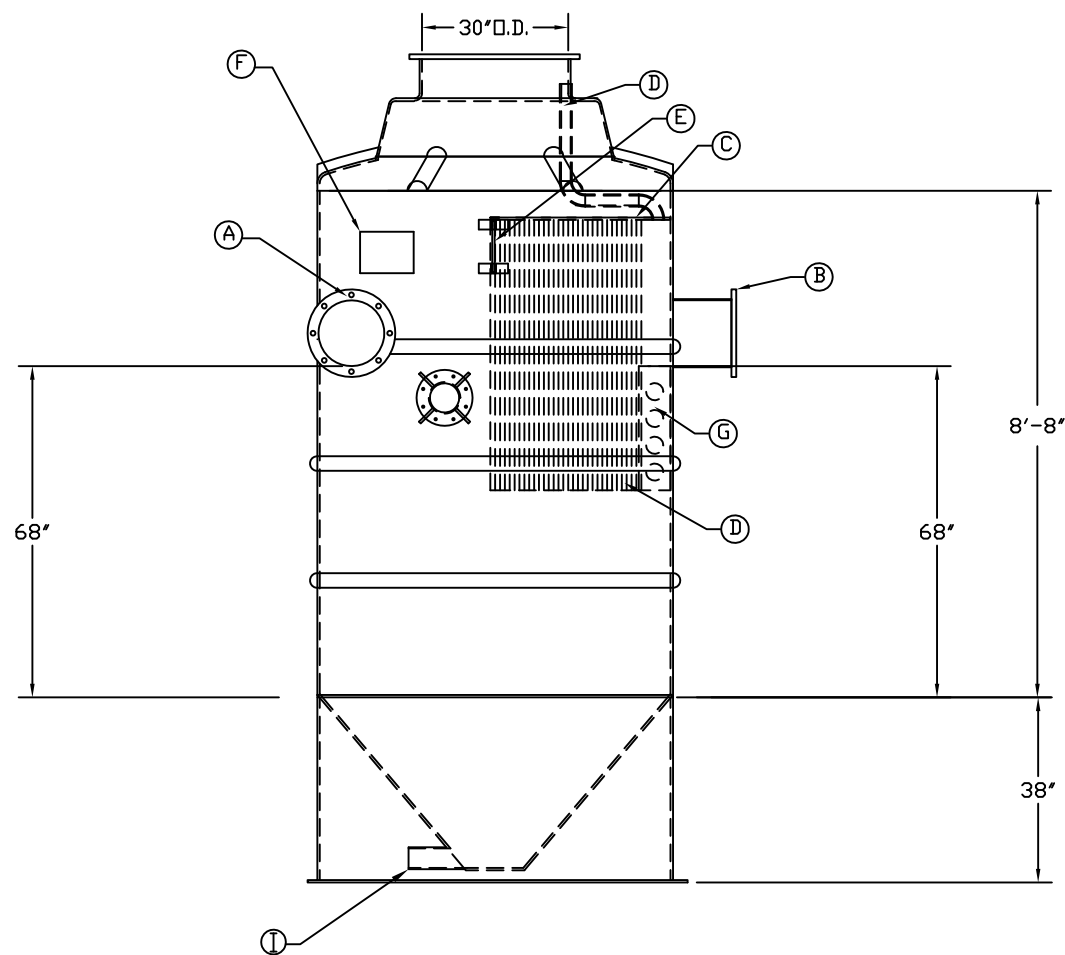


I	1	4" Threaded coupling	
H	1	2"DIA. SCH40 PVC VENT PIPE	
G	1	BAFFLE SPACER	
F	2	AQUASHIELD INFO LABELS	
E	2	GALV. STL. LIFTING LUGS	
D	1	FRP BAFFLE	
C	1	FRP BAFFLE CAP	
B	1	14"DIA. X 12" PVC SDR 35 STUB	12"
A	1	14"DIA. X 36" PVC SDR 35 STUB	12"
ITEM	QTY.	DESC.	PRD

NOTES:

1. BASIN DESIGNED, FABRICATED, INSPECTED, TESTED AND MARKED IN ACCORDANCE WITH A.S.T.M. D-3753 SPEC'S CURRENT EDITION.
 2. SIGNED APPROVED DRAWING REQUIRED BEFORE START OF MANUFACTURING. DATE: _____
- () APPROVED _____
- () APPROVED AS NOTED _____
- () REVISE & RESUBMIT _____



This is a Sample Detail, Please contact AquaShield, Inc. for more information

Document:	GS-6
Drawn By:	SCE
Scale:	1:30
Date:	12/12/08



2705 Kanasita Drive, Chattanooga, TN 37343
 Phone (888) 344-9044 Fax (423) 826-2112
 www.aquashieldinc.com

U.S. Patent No. 6524473 and other Patent Pending